

SNER Electric Chain Hoists with Hook and Lug Suspensions and Motorized, Push and Geared Trolleys



SNER005L

Our SNER Series of electric chain hoists furnishes single-phase operation in a heavy-duty, low-headroom design. Available in hook mount or coupled with a trolley, it easily transports any load. Look to this model when high quality and convenience are important for the job.

Features and Benefits

Extreme Duty Motor

Higher horsepower and top duty ratings provide increased performance.

Pull-Rotor Motor Brake

Extremely durable and reliable, this advanced design has no brake coil to fail.

Unique Chain Guide

Provides quiet and smooth guiding of chain. Easily removed without disassembly of hoist. Heavy cast iron construction for improved wear.

Load Sheave

Deep-groove pockets fully support the load chain, reduces vibration and chain wear and provides a true vertical lift.

Long Life Friction Clutch

Protects hoist from damage and prevents overwinding.

Heat Treated Helical and Spur Gears

Precision machined for long life. Oil bath lubrication results in a quiet, smooth, cool operation.

Completely Sealed Body

Suitable for indoor, outdoor and harsh environments.

Compact Aluminum Body

Die-cast body is lightweight and offers low headroom.

Easy Maintenance Control Panel

Fast on-site access with hinged cover, single swing-out panel and simple layout of controls.

Superior Quality Chain

Grade 80 nickel-plated load chain is heat treated for wear resistance and extended life.

Forged Carbon Steel Hooks

Under excessive loads will open gradually and not fracture. Bottom hook swivels 360 degrees.

Motorized Trolley Side Guide Rollers

Provide smooth trolley motion and reduced wear on wheels and beam.

Motorized Trolley Drop Stops and Rubber Bumpers

Built-in security for the operator and added protection for the equipment and load.

Standard Hoist/Trolley Specifications

Capacity Range

1/4 Ton–3 Ton

Reconnectable Voltage

115/230-1-60

Control Voltage

110V

Duty Cycle*

Hoist—60 Min., Trolley—30 Min.

Classification*

ASME H4, ISO M5 or M4, FEM 2M or 1Am

Ratings

Hoist/Trolley—IP55

Pendant—IP65

Limit Switch

Prevents overwinding/overlifting
Standard upper

Chain Falls

Single fall through 2 Ton

Standard Lengths

Lift—10'

Pendant Drop—4' less than lift

Power Supply—Hoist—15'

Power Supply—Motorized

Trolley—30'

(longer lengths available)

Standard Pendants

Hoist—2 Button,

Hoist/Trolley—4 Button

Momentary contacts

Chain Containers

Optional

Canvas, plastic or steel

Geared Trolley Standard

Hand Chain Drop

2' less than lift

(longer drops available)

Trolley Shafts

Standard shafts fit wide

flange range

Longer shafts for wider beams

Spacers for easy adjustments

Trolley Wheels

All steel

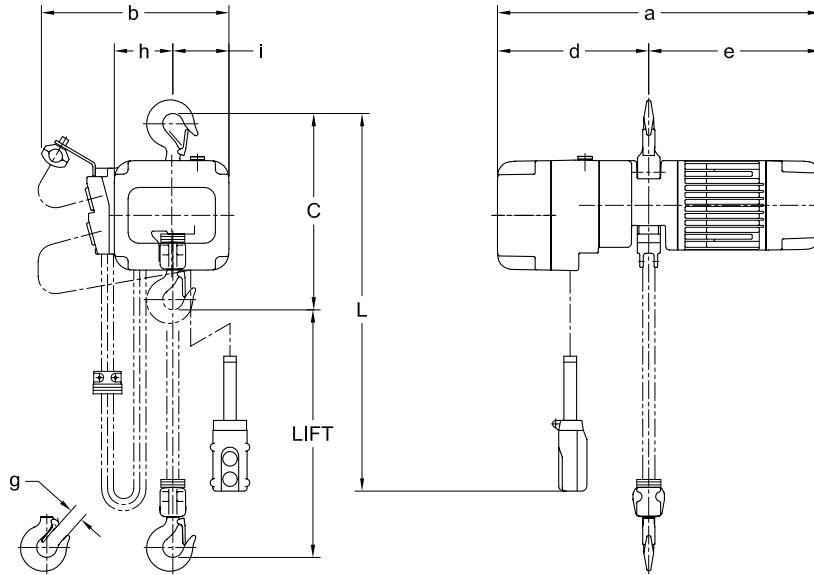
Shielded ball bearings

Fit flat or tapered beam flange

*See page 56 for additional information.



SNER005L



SNER005L

SINGLE SPEED—SPECIFICATIONS

Cap. (Tons)	Product Code	Standard Lift (ft)	Push Button Cord L (ft)	Lifting Speed (ft/min)	Lifting Motor Single Phase 60 Hz			Load Chain Diameter (mm) x Chain Fall Lines	Net Weight (lbs)	Weight for Additional One Foot of Lift (lbs)
					Output (Hp)	Rated Current (amps)				
						@115V	@230V			
1/4	SNER003S	10	7.2	14	0.34	7.7	3.9	5.0 x 1	82	0.37
1/2	SNER005L			7				6.3 x 1		
1/2	SNER005S			15	0.6	16.9	8.5	6.3 x 1	104	0.57
1	SNER010L			7				8.0 x 1		
1	SNER010S			14	8.0 x 1	159	0.93			
2	SNER020L			7	1.2			23.9	12.0	10.0 x 1
3	SNER030C			8.2	3.5	10.0 x 2	207			3.1

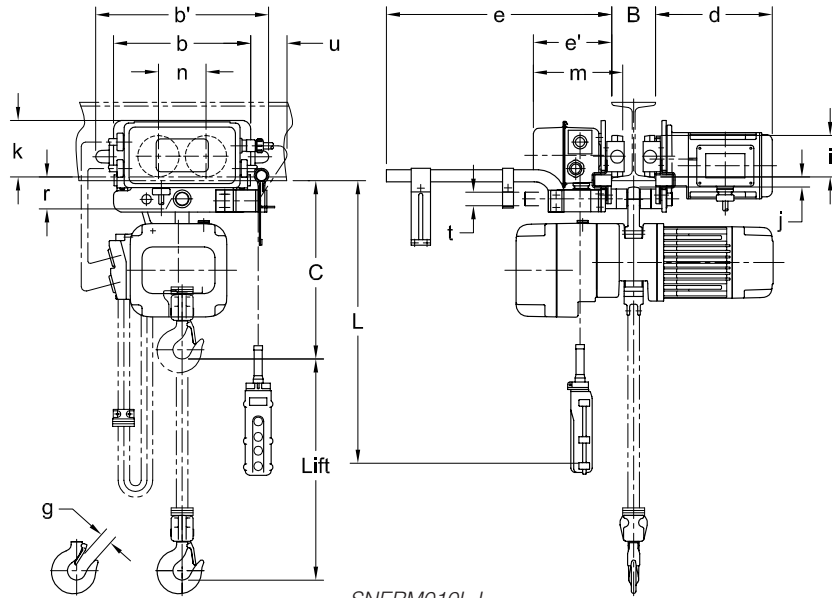
SINGLE SPEED—DIMENSIONS

Cap. (Tons)	Product Code	Headroom C (in)	a (in)	b (in)	d (in)	e (in)	g (in)	h (in)	i (in)
1/4	SNER003S	13.8	22.2	13.0	10.4	11.9	0.9	4.0	3.9
1/2	SNER005L	14.0	22.2	13.0	10.4	11.9	0.9	4.0	3.9
1/2	SNER005S	14.6	23.2	13.8	10.6	12.6	0.9	4.7	4.1
1	SNER010L	16.1	23.2	13.8	10.6	12.6	1.2	4.7	4.1
1	SNER010S	17.3	26.9	16.5	12.4	14.4	1.2	6.1	5.2
2	SNER020L	22.6	26.9	16.5	12.4	14.4	1.5	6.1	5.2
3	SNER030C	29.5	26.9	16.5	12.4	14.4	1.7	8.2	3.0

SNER Electric Chain Hoists with Hook and Lug Suspensions and Motorized, Push and Geared Trolleys



SNERM005L



SNERM010L-L

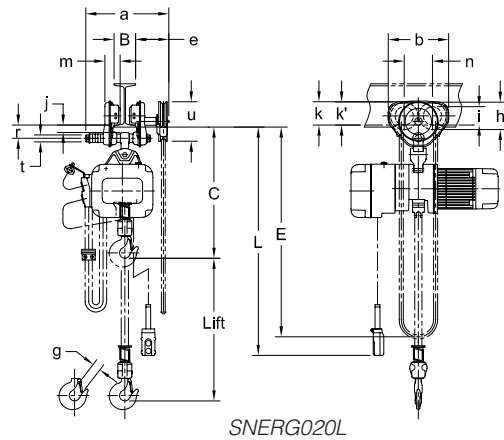
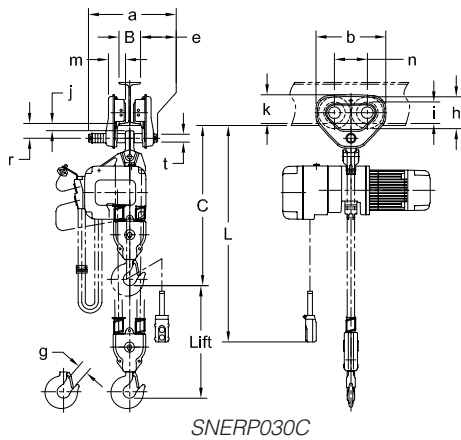
SINGLE SPEED HOIST WITH SINGLE SPEED TROLLEY—SPECIFICATIONS

Cap. (Tons)	Product Code	Std. Lift (ft)	Push Button Cord L (ft)	Lifting Speed (ft/min)	Traversing Speed (ft/min)	Lifting Motor Single Phase 60 Hz			Traversing Motor Single Phase 60 Hz			Flange Width Adjustability B (in)		Min. Allow. Radius for curve (in)	Load Chain Dia. (mm) x Chain Fall Lines	Net Weight (lbs)	Weight for Additional One Foot of Lift (lbs)
						Output (Hp)	Rated Current (amps)		Output (Hp)	Rated Current (amps)		Standard	Optional				
							@ 115V	@ 230V		@ 115V	@ 230V						
1/4	SNERM003S-L/S	10	7.5	14	L = 40 S = 80	0.34	7.7	3.9	0.54	6.2	3.1	2.28 to 5.00	5.01 to 6.02 OR 6.03 to 12.00	31.5	5.0 x 1	168	0.37
1/2	SNERM005L-L/S			7											6.3 x 1	170	0.57
1/2	SNERM005S-L/S			15											6.3 x 1	190	0.57
1	SNERM010L-L/S			7		8.0 x 1	196	0.93									
1	SNERM010S-L/S			14		8.0 x 1	245	0.93									
2	SNERM020L-L/S			7		10.0 x 1	276	1.5									
3	SNERM030C-L/S			8.2		3.5	1.2	23.9							12.0	3.23 to 6.02	6.03 to 7.02 OR 7.03 to 12.00

SINGLE SPEED HOIST WITH SINGLE SPEED TROLLEY—DIMENSIONS

Cap. (Tons)	Product Code	Headroom C (in)	b (in)	b' (in)	d (in)	e (in)	e' (in)	g (in)	i (in)	j (in)	k (in)	m (in)	n (in)	r (in)	t (in)	u (in)
1/4	SNERM003S-L/S	14.6	12.4	15.6	10.6	20.3	7.0	0.9	3.74	0.9	5.1	8.0	4.3	2.0	1.22	3.2
1/2	SNERM005L-L/S	14.6	12.4	15.6	10.6	20.3	7.0	0.9	3.74	0.9	5.1	8.0	4.3	2.0	1.22	3.2
1/2	SNERM005S-L/S	15.4	12.4	15.6	10.6	20.3	7.0	0.9	3.74	0.9	5.1	8.0	4.3	2.0	1.22	3.2
1	SNERM010L-L/S	16.5	12.4	15.6	10.6	20.3	7.0	1.2	3.74	0.9	5.1	8.0	4.3	2.0	1.22	3.2
1	SNERM010S-L/S	17.7	12.4	15.6	10.6	20.3	7.0	1.2	3.74	0.9	5.1	8.0	4.3	2.0	1.22	3.2
2	SNERM020L-L/S	22.2	12.8	16.4	10.7	20.5	7.2	1.5	4.33	1.1	4.9	8.3	4.6	2.4	1.42	3.0
3	SNERM030C-L/S	28.9	13.4	17.4	10.8	20.5	7.3	1.7	4.92	1.1	5.2	8.5	5.2	2.7	1.69	2.7

HARRINGTON ELECTRIC CHAIN HOISTS



SINGLE SPEED HOIST WITH PUSH OR GEARED TROLLEY—SPECIFICATIONS

Cap. (Tons)	Product Code	Std Lift (ft)	Push Button Cord L (ft)	Lifting Speed (ft/min)	Lifting Motor Single Phase 60 Hz			Flange Width Adjustability B (in)		Min.* Allow. Radius for curve (in)	Load Chain Dia. (mm) x Chain Fall Lines	Net Weight (lbs)	Weight for Additional One Foot of Lift (lbs)
					Output (Hp)	Rated Current (amps)		Standard	Optional				
						@115V	@230V						
1/4	SNERP(SNERG)003S	10	7.5	14	0.34	7.7	3.9	2.28 to 4.00 (2.28 to 5.00)	4.01 to 8.00 (5.01 to 8.00) OR 8.01 to 12.00	43.3 (51.2)	5.0 x 1	93 (110)	0.37 (1.0)
1/2	SNERP(SNERG)005L			7							6.3 x 1	95 (112)	0.57 (1.2)
1/2	SNERP(SNERG)005S			15	6.3 x 1	115 (135)	0.57 (1.2)						
1	SNERP(SNERG)010L			7	0.6	16.9	8.5	2.28 to 5.00	5.01 to 8.00 OR 8.01 to 12.00	51.2	8.0 x 1	130 (141)	0.93 (1.5)
1	SNERP(SNERG)010S			14						51.2	8.0 x 1	179 (190)	0.93 (1.5)
2	SNERP(SNERG)020L			7	1.2	23.9	12.0	3.23 to 6.02	6.03 to 12.00	59.1	10.0 x 1	209 (220)	1.5 (2.2)
3	SNERP(SNERG)030C			8.2						3.5	66.9	10.0 x 2	251 (262)

Figures in parentheses are data for geared trolley.

*Minimum flange width for curved beam: 1 Ton Push and 1/4 to 1 Ton Geared = 2.87 in.; 3 Ton Push or Geared = 3.50 in.

SINGLE SPEED HOIST WITH PUSH TROLLEY—DIMENSIONS

Cap. (Tons)	Product Code	Headroom C (in)	a (in)	b (in)	e (in)	g (in)	h (in)	i (in)	j (in)	k (in)	m (in)	n (in)	r (in)	t (in)
1/4	SNERP003S	15.4	8.0	7.2	1.8	0.9	3.2	2.36	0.7	3.0	1.9	3.3	1.5	0.87
1/2	SNERP005L	15.4	8.0	7.2	1.8	0.9	3.2	2.36	0.7	3.0	1.9	3.3	1.5	0.87
1/2	SNERP005S	16.1	8.0	7.2	1.8	0.9	3.2	2.36	0.7	3.0	1.9	3.3	1.5	0.87
1	SNERP010L	18.1	9.8	9.3	2.2	1.2	4.2	2.80	1.1	3.7	2.2	4.4	2.0	0.98
1	SNERP010S	19.5	9.8	9.3	2.2	1.2	4.2	2.80	1.1	3.7	2.2	4.4	2.0	0.98
2	SNERP020L	24.6	11.8	11.0	2.7	1.5	5.0	3.35	1.3	4.4	2.8	5.2	2.4	1.26
3	SNERP030C	29.3	12.6	12.8	3.1	1.7	5.8	3.94	1.4	5.3	3.1	6.0	2.7	1.42

SINGLE SPEED HOIST WITH GEARED TROLLEY—DIMENSIONS

Cap. (Tons)	Product Code	Headroom C (in)	E (ft)	a (in)	b (in)	e (in)	g (in)	h (in)	i (in)	j (in)	k (in)	k' (in)	m (in)	n (in)	r (in)	t (in)	u (in)
1/4	SNERG003S	16.1	10.5	13.6	9.3	6.0	0.9	4.2	2.80	1.1	3.7	4.2	2.2	4.4	2.0	0.98	7.2
1/2	SNERG005L	16.1	10.5	13.6	9.3	6.0	0.9	4.2	2.80	1.1	3.7	4.2	2.2	4.4	2.0	0.98	7.2
1/2	SNERG005S	16.9	10.5	13.6	9.3	6.0	0.9	4.2	2.80	1.1	3.7	4.2	2.2	4.4	2.0	0.98	7.2
1	SNERG010L	18.1	10.5	13.6	9.3	6.0	1.2	4.2	2.80	1.1	3.7	4.2	2.2	4.4	2.0	0.98	7.2
1	SNERG010S	19.5	10.5	13.6	9.3	6.0	1.2	4.2	2.80	1.1	3.7	4.2	2.2	4.4	2.0	0.98	7.2
2	SNERG020L	24.6	10.5	15.2	11.0	6.1	1.5	5.0	3.35	1.3	4.4	4.3	2.7	5.2	2.4	1.26	7.2
3	SNERG030C	29.3	11.0	15.7	12.8	6.2	1.7	5.8	3.94	1.4	5.3	4.5	3.1	6.0	2.7	1.42	7.2